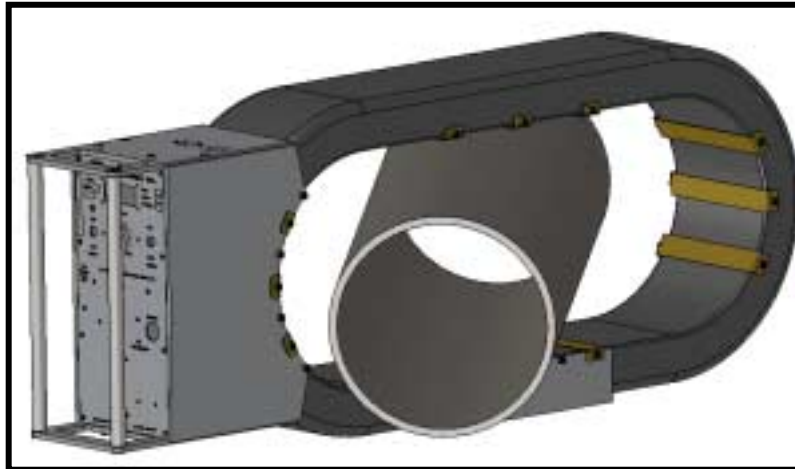


Western Instruments

Established 1965

November, 2011

RT-Series Coils



The production prototype tooling for the WDV-RT-14 Coil is currently being made, with the first unit projected for completion by Mid-January, 2012. This WDV-RT-14 has an ID that is 14" (369mm) high and 28" (710mm) long. The WDV-RT-14 will permit work pieces with an OD just under the height of the Coil to be magnetized at 45°. Illustrated above is a Plane End 13 3/8" OD (340mm) Pipe within a WDV-RT-14, or a 12 3/4" (324mm) Coupling could also be tested. This angle of magnetization permits inspection for Longitudinal and Transverse defects that has been well proven with the use of CX-230 QQI's (Qualitative Quality Indicators).

WDV-RT-14 Coils eliminate the need for Amperage Flow Magnetization or a Head Shot for Longitudinal Defects, which often results in Arc Burn to the workpiece. Capacitive Discharge Power Supplies (CD Units) produce a field for longitudinal sensitivity, similar to a head shot, but are rather cumbersome to use.

The WDV-RT-14 Coil utilize our well proven WD-Series Controls, but will be equipped with Pulsed DC Output as a standard feature. The AC Option will be a highly recommended, as it will offer AC Outputs of up to 8,000 Amp Turns. Like our larger diameter WD-Series Coils, RT-Series Coils will only be available for use with 230VAC, in 50 and 60Hz versions. These higher voltages will permit RT-Series Coils to have DC outputs approaching 1200 Amp Turns per inch of work piece OD (18,000 Total). These outputs from RT-Series Coils will satisfy DS1 and NS-2 specifications, as well as other high performance specifications.

Western Instruments Inc.

26509 Township Road 543
Sturgeon Count, Alberta
T8T 1M1 Canada

Phone: (780) 459-6720
Fax: (780) 459-7837
E-Mail: info@westerninstruments.com

Web: www.westerninstruments.com